

OLYMPUS®

RecMic

DR-1200

DR-2100

DR-2200

DR-2300

INSTRUCTIONS

Thank you for purchasing an
Olympus RecMic.

Please read these instructions for information
about using the product correctly and safely.
Keep the instructions handy for future reference.

To ensure successful recordings, we recommend that you
test the record function and volume before use.

EN

Introduction

- The contents of this document may be changed in the future without advanced notice. Contact Olympus authorized dealer or Customer Support Center for the latest product information.
- The illustration of the RecMic shown in this manual may differ from the actual product. For questions regarding this document and information presented, please contact Olympus Professional Authorized Dealer or Olympus Customer Support Center.
- Any liability due to damages including but not limited to loss of data due to product defect or repair performed by Olympus, Olympus authorized repair center, or third party, is excluded.
- OLYMPUS CORPORATION holds the copyrights for instructions (this manual).

Trademarks and registered trademarks

- Microsoft and Windows are trademarks or registered trademarks of Microsoft Corporation.
- Macintosh and Mac OS are trademarks or registered trademarks of Apple Inc.

Other product and brand names mentioned herein may be the trademarks or registered trademarks of their respective owners.

Safety precautions

- **Do not disassemble, repair or modify the unit yourself.**
- **Keep young children and infants away from the RecMic. The cable can be a strangulation hazard.**
- **Disconnecting the cable while the RecMic is recording/deleting could damage the unit making it unusable.**
- **Do not leave the RecMic exposed to high humidity, high temperature or direct sunlight.**

- **Do not store the RecMic in humid or dusty environments.**
- **If the RecMic is wet, wipe it immediately with a dry cloth.**
- **Do not use alcohol or lacquer thinner to clean the unit.**
- **Do not subject the RecMic to severe shocks or vibrations.**
- **Leaving magnetic cards near the RecMic's speaker may lead to unusual behaviors of the data stored in the card.**

Main features

This product is equipped with the following features.

- **New design and location of buttons enable single-handed control without ever having to visually check the placement of buttons. RecMic fits easily into your hand providing effortless control coupled with superb dictation experience.**
- **Equipped with a directional microphone that eliminate undesired background noise and allows clear and precise recordings.**
- **All buttons are programmable to allow for easy and personal customization.**
- **RecMic is USB Audio Device, It can be used as a USB microphone and/or USB speaker when connected to a PC.**
- **RecMic can save a recording as a file on a PC in PCM format.**
- **Powerful built-in speaker provides hi-fidelity acoustic playback.**

Operating environment

**Make sure that your computer meets the minimum requirements listed below.
Please check with your system administrator or your Olympus Professional Dealer.**

Windows

Operating System:

Microsoft Windows XP Professional/Home Edition SP3/x86/Professional/
Home Edition SP2/x64

Microsoft Windows Vista Ultimate/Enterprise/Business/Home Premium/
Home Basic SP2 (both of x86/64)

Microsoft Windows 7 Ultimate/Enterprise/Professional/Home Premium
(both of x86/64)

Microsoft Windows 8 /Pro/Enterprise (both of x86/64)

CPU/RAM:

At least meeting the minimum requirements for the operating system in use

USB port:

One or more free ports

Macintosh

Operating System:

Mac OS X 10.4.11 - 10.8

CPU/RAM:

At least meeting the minimum requirements for the operating system in use

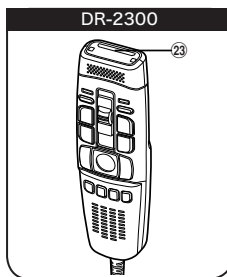
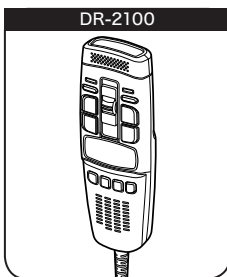
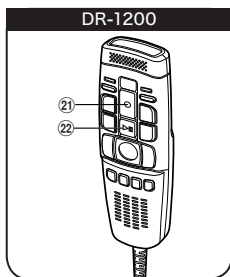
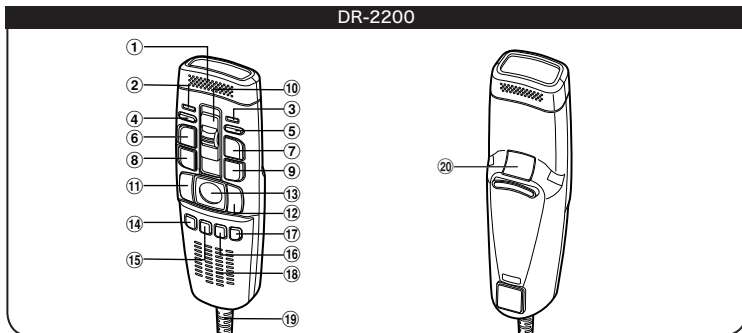
USB port:

One or more free ports

Note

- When connecting the RecMic through an USB hub the operation may become unstable. In such cases, refrain from using a USB hub.

Identification of parts



- | | |
|--|------------------------------------|
| ① Built-in microphone | ⑫ RIGHT (Right) button |
| ② Recording three color LED (red, green and blue) | ⑬ Trackball |
| ③ Insert Recording LED (green) | ⑭ F1 (Function 1) button |
| ④ Volume down button | ⑮ F2 (Function 2) button |
| ⑤ Volume up button | ⑯ F3 (Function 3) button |
| ⑥ NEW (New) button | ⑰ F4 (Function 4) button |
| ⑦ Insert / Overwrite button | ⑱ Built-in speaker |
| ⑧ REW (Rewind) button | ⑲ USB cable |
| ⑨ FF (Fast Forward) button | ⑳ BACK (Back) button |
| ⑩ Slide REC (Record)/STOP (Stop)/PLAY (Play)/REV (Review) switch | ㉑ REC (Record) button |
| ⑪ LEFT (Left) button | ㉒ PLAY (Play)/PAUSE (Pause) button |
| | ㉓ Barcode slot |

Specifications

- **Recording format:**
PCM 16 bit 44.1 kHz mono
- **Input level:**
86 dB SPL (-45 dBv)
- **Microphone frequency response:**
100 Hz to 14 kHz
- **Overall frequency response:**
300 Hz to 10 kHz
- **Output power:**
320 mW (8 Ω speaker)
- **External dimensions:**
154 mm \times 44.6 mm \times 31.6 mm
(without protrusions)
- **Weight:**
201 g (DR-1200), 183 g (DR-2100),
201 g (DR-2200), 206 g (DR-2300)
- **Cable length:**
2.5 m
- **Plug shape:**
USB connector A type

Specifications and design are subject to change without notice.

Technical assistance and support

The RecMic is part of the Olympus Professional Dictation System. Your certified professional dealer has been fully trained on the entire Olympus Professional Dictation range, including dictation, transcription devices and software. For technical assistance and guidance relating to installation and set up, please contact your professional dealer from whom you purchased the system.

For customers in Europe



"CE" mark indicates that this product complies with the European requirements for safety, health, environment and customer protection. CE-mark products are for sale in Europe.



This symbol [crossed-out wheeled bin WEEE Annex IV] indicates separate collection of waste electrical and electronic equipment in the EU countries. Please do not throw the equipment into the domestic refuse. Please use the return and collection systems available in your country for the disposal of this product.

MEMO

Customer Service & Support - Professional Dictation

Professional dictation devices from Olympus are distributed via specially trained and educated partners.

Therefore please contact your local **Certified Olympus Partner for Professional Audio Systems** to get highly qualified support in your language.

Find your local partner with our Dealer Locator on www.olympus-europa.com/voice

Telephone support (only English speaking):

United Kingdom:	0845 521 8588	(Monday - Friday 8am - 5pm GMT)
Republic of Ireland:	00 44 1582 483320	(Monday - Friday 8am - 5pm GMT)
Europe, Middle East, Russia & Africa:	00 800 7000 1000*	(Monday - Friday 9am - 6pm CET)

E-mail (only English speaking)

help@opdsupport.com

Repair Address

Unit 6 Titan Court, Laporte Way Luton, Bedfordshire, United Kingdom, LU4 8EF

* 00800-calls are free of charge.

Only valid for Germany, Austria, Netherlands, Belgium, France, Italy, Denmark, Switzerland, Portugal, Norway, Sweden, Finland, Spain, Czech Republic, Hungary, Poland, Iceland, Bulgaria, Israel, Latvia, Lithuania, Estonia, Russia, South Africa. Some phone service providers do not permit access to 00800 numbers or require an additional prefix. Charges may apply here. Please contact your service provider directly for more details.

OLYMPUS®

OLYMPUS CORPORATION

2951 Ishikawa-machi, Hachioji-shi, Tokyo 192-8507, Japan.

Tel. +81 (0)42-642-6162

<http://www.olympus.com>

OLYMPUS EUROPA SE & CO. KG

(Premises) Wendenstrasse 14 – 18, 20097 Hamburg, Germany

Tel.: +49 40 - 23 77 3-0

(Goods delivery) Modul H, Willi-Bleicher Str. 36, 52353 Düren, Germany

(Letters) Postfach 10 49 08, 20034 Hamburg, Germany

<http://www.olympus-europa.com>

OLYMPUS IMAGING AUSTRALIA PTY LTD.

Ground Floor, 82 Waterloo Road, Macquarie Park NSW 2113, Australia

PO Box 1991 Macquarie Centre NSW 2113

Tel.: +61 2 9886 3992

<http://www.olympus.com.au>