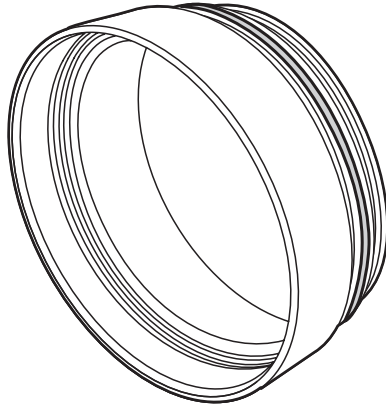


OLYMPUS

PER-E01



Jp

取扱説明書

PT-Eシリーズ用防水延長リング

En

Instruction Manual

Underwater Extension Ring for PT-E Series

Fr

Mode d'emploi

Bague d'extension sous-marine pour la série PT-E

De

Bedienungsanleitung

Unterwasser-Zwischenring für PT-E Serie

Sp

Manual de instrucciones

Aro de extensión para usar debajo del agua para la serie PT-E

Cs

使用说明书

PT-E系列专用防水延长连接环

Kr

사용 설명서

PT-E 시리즈 방수 연장 링

OLYMPUS IMAGING CORP.

- Thank you for buying this product. To assure safe and correct use of this product, please read this instruction manual carefully. After reading, store the manual together with the warranty card in a safe, easily accessible place.
- This product is a Waterproof Extension Ring (PER-E01) for use with the PT-E series waterproof case. It is designed to be used in combination with the “ZUIKO DIGITAL 1.4X TELECONVERTER (EC-14)” rear converter model.
- Underwater zooming and manual focusing are not possible when this product is used.

Disclaimer



- Unauthorized copying of this manual in part or in full, except for personal use, is prohibited. Unauthorized reproduction is strictly prohibited.
- Olympus shall not be responsible for damages, loss of profit or any claims by third parties in case of any damage occurring from incorrect use of this product.

IMPORTANT - Please read the following before using the product

- This product has been designed to be used underwater at depths up to 60 meters (200 ft). Handle this product with care.
- This product must always be used in combination with the specified rear converter. Do not combine this product with any other rear converter.
- To ensure correct and safe use of this product, always use it as described in this instruction manual.

For safe use

This instruction manual uses pictographs to show how to use the product correctly and how to prevent danger to the user and other persons as well as damage to property. These pictographs and their meanings are shown below.

 WARNING	Please pay particular attention to this information. If ignored when using the product, there is a risk of serious injury and even death.
 CAUTION	Ignoring this information when using the product could lead to injury or material damage.

⚠ WARNING

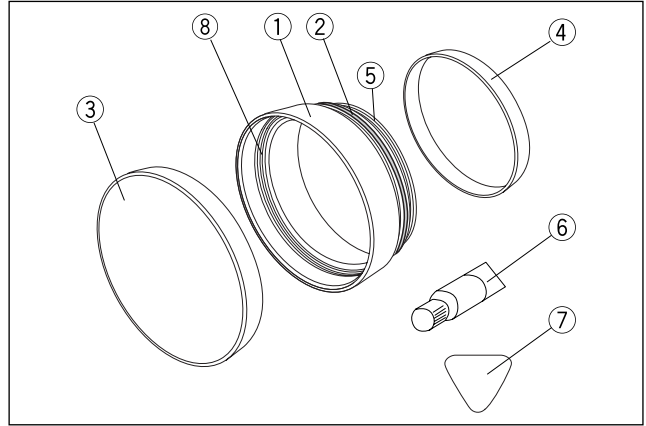
- This product should be kept out of reach of infants and children to prevent accidents such as the following:
 - Injury caused by the product falling from a height and striking the body from a height.
 - Injury caused by the swallowing of small parts. Please consult a doctor immediately if this happens.
- This product is partly made of glass. If it is broken or smashed by being dropped or hit against a hard object, glass splinters could cause injury. Please handle this product carefully.
- If water gets into this product during underwater use, immediately stop using it, remove the moisture from the product and detach it from the camera and lens.
- Do not disassemble or modify this product. This may result in injury.
- The silicone O-ring grease is not edible.

⚠ CAUTION

- Do not leave this product where it may be exposed to high temperatures. This may lead to deterioration of parts and components.
- This product is mounted between the PT-E series waterproof case and the PPO-E series waterproof lens port. When mounting, be sure to follow the instructions in this manual.
- Before removing this product from the PT-E series waterproof case and PPO-E series waterproof lens port, make sure that the case and lens port are completely dry and free of moisture.
- Never attach or detach this product in locations where there is a lot of sand, dust or dirt. If any foreign matter gets on the O-ring sections, the waterproof sealing will be compromised and water leakage may result.
- This product has been designed and manufactured for use in a water pressure equivalent to a depth of 60 meters (200 ft). Please note that diving in depths over 60 meters may cause irreparable damage and/or may result in water leaking into this product and the camera and lens.
- When sealing this product, make sure that no foreign matter is caught on the O-rings or O-ring contact surfaces.
- Before storing this product, always remove it from the camera and lens.
- Underwater zooming and manual focus operation are not possible when this product is used. Do not attach the zoom gear or MF gear, provided with the separately available waterproof lens port, to the lens's zoom ring or MF ring.

1 Name of Parts

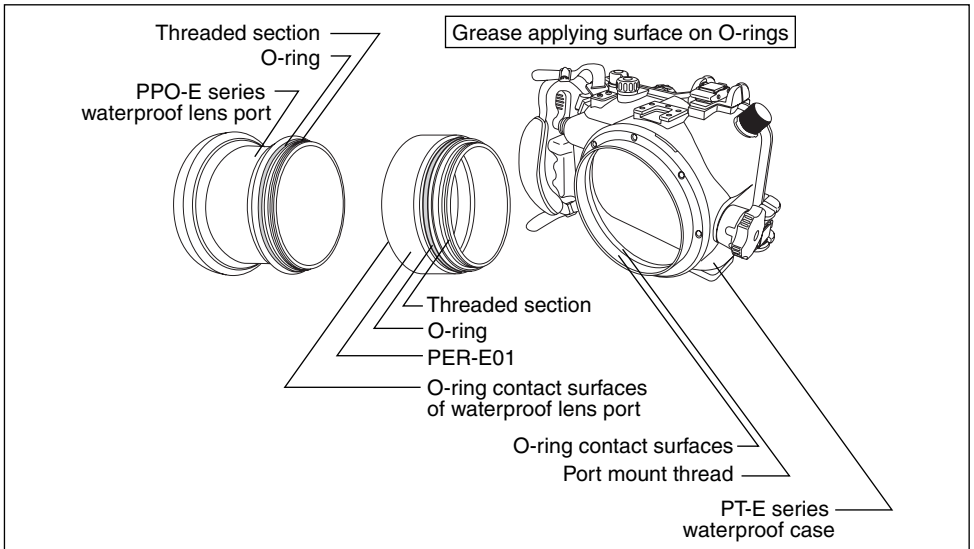
- ① PER-E01 main body
- ② Silicon O-ring (POL-E101)
- ③ Front cap
- ④ Rear cap
- ⑤ PT-E series waterproof case mount
- ⑥ Grease for silicone O-ring
- ⑦ Pick for O-ring removal
- ⑧ Waterproof lens port mount



* This product has been designed for exclusive use with the following rear converter. It cannot be used in combination with any other rear converter.

Corresponding rear converter	ZUIKO DIGITAL 1.4X TELECONVERTER EC-14
------------------------------	--

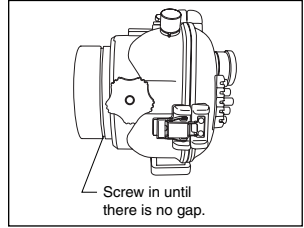
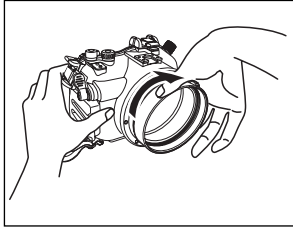
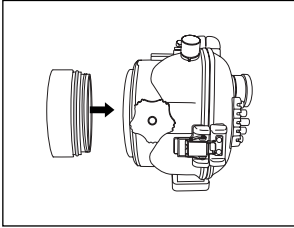
2 Mounting the PER-E01 between the Waterproof Case and the Waterproof Lens Port



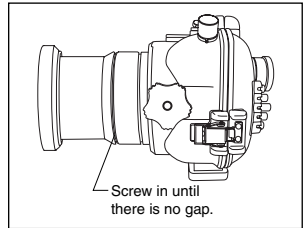
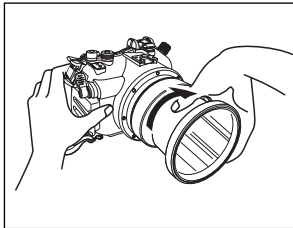
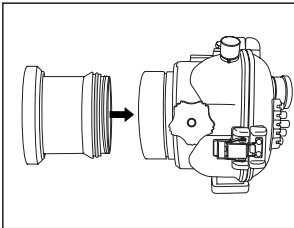
This product is designed to be mounted between the PT-E series waterproof case and the PPO-E series waterproof lens port.

Before mounting, first make sure that no foreign matter is attached, then apply a thin layer of the provided silicone O-ring grease to the O-rings, the port mount thread on the PT-E series case, the threaded section of the PPO-E series lens port or the O-ring contact surfaces.

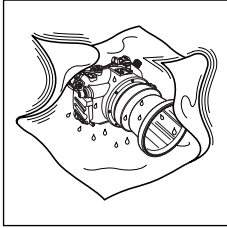
- ① Align the threaded section of the PER-E01 with the port mount thread on the PT-E series case.
- ② Hold the PT-E series case firmly with one hand, hold the main body of the PER-E01 with your other hand and screw it into the PT-E series by turning the PER-E01 clockwise.
- ③ Resistance increases as the PER-E01 is screwed in more deeply. However, be sure to screw it in all the way until there is no gap visible below the threaded section of the PER-E01.



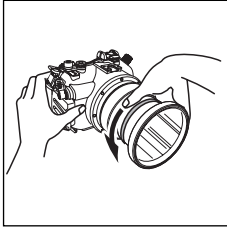
- ④ Align the threaded section of the PER-01 with the port mount thread on the PPO-E series lens port.
- ⑤ Hold the PT-E series case and PER-E01 firmly with one hand, hold the main body of the PPO-E series lens port with other hand and turn it clockwise to screw it into the PER-E01.
- ⑥ Resistance will increase as the PPO-E series lens port is screwed in. However, be sure to screw it in all the way until there is no gap visible between the PER-E01's threaded section and the PPO-E's port mount thread.



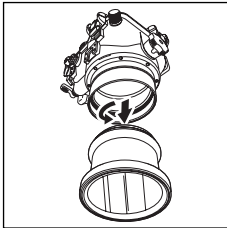
3 Dismounting the PER-E01



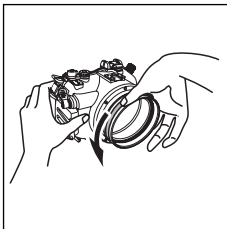
- ① If any water is on the product, wipe it completely away and make sure that the product is dry.



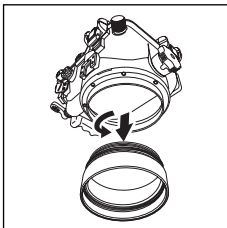
- ② Holding the PT-E series case firmly with one hand, loosen the PPO-E series lens port that is attached to the PER-E01 by turning the PPO-E about 90 degrees counterclockwise. If the PPO-E is screwed in too tight, wrap it with a piece of rubber or other slip-resistant material.



- ③ After loosening the PPO-E series lens port, point its lens down and turn it further counterclockwise until it is separated from the PER-E01. Be careful not to drop the PPO-E, PER-E01 or PT-E.



- ④ Holding the PT-E series case firmly with one hand, loosen the PER-E01 by turning it about 90 degrees counterclockwise. If the PER-E01 is screwed in too tight, wrap it with a piece of rubber or other slip-resistant material.



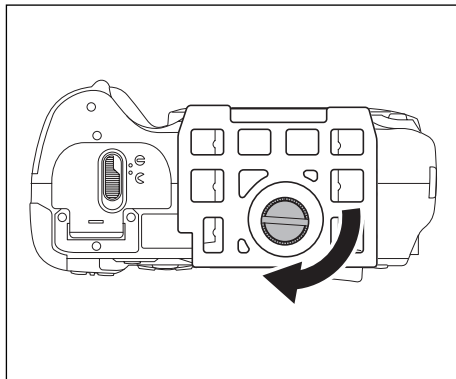
- ⑤ After loosening the PER-E01, point its lens down and turn it further counterclockwise until it is separated from the PT-E series case. Be careful not to drop the PER-E01 or PT-E.

CAUTION: When removing the PPO-E series lens port and PER-E01 from the case, water drops on the O-rings may splash on the lens or camera. If this happens, wipe the water drops away from the lens and camera with a dry cloth.

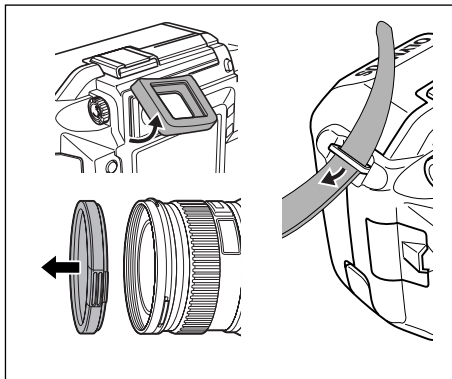
- Make sure that the PER-E01 is completely dry before dismounting.

4 Loading the Camera and Lens

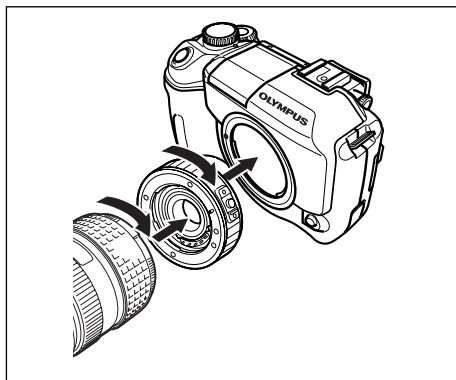
After installing the EC-14 ZUIKO DIGITAL 1.4X TELECONVERTER rear converter between the camera and lens, insert the camera and lens into the PT-E series case on which the PER-E01 and the PPO-E series lens port are mounted.



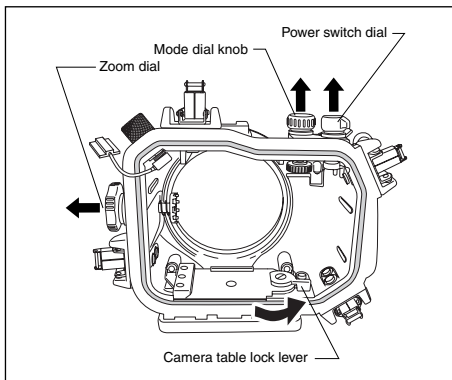
- ① Screw the camera table provided with the PT-E series case firmly into the bottom of the camera.



- ② Remove the eyecup from the camera's viewfinder. If a lens cap or filter is attached to the lens or the strap is attached to the camera, remove them as well.

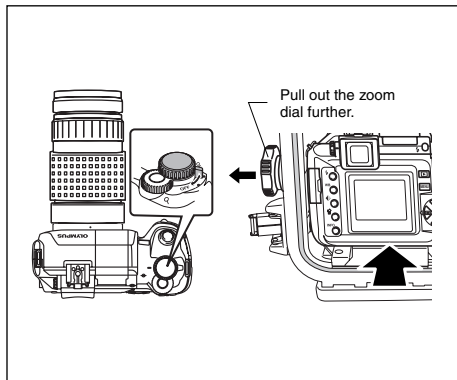


- ③ Install the separately available EC-14 ZUIKO DIGITAL 1.4X TELECONVERTER rear converter between the camera and lens as instructed in the rear converter's manual.

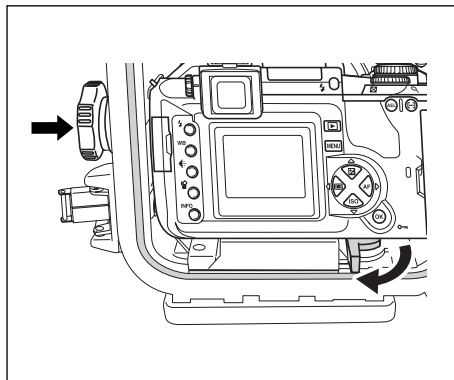


- ④ Lift the PT-E series case's power switch dial, mode dial knob and zoom dial, and turn the case's camera table lock lever counterclockwise to release the lock. Refer to the PT-E series case's instruction manual for instructions of how to attach the hot shoe cable for the flash.

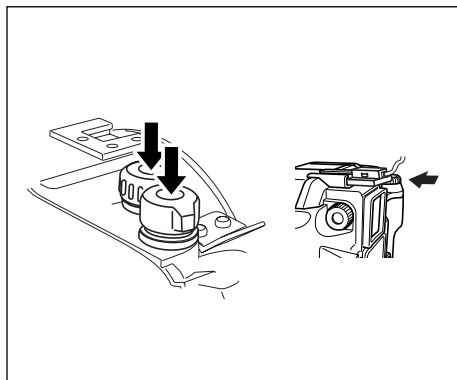
CAUTION: When this product is used in combination with a zoom lens, zooming cannot be controlled after the camera has been loaded in the case. Be sure to set the zoom ring of the lens to the desired focal distance before loading the camera in the case.



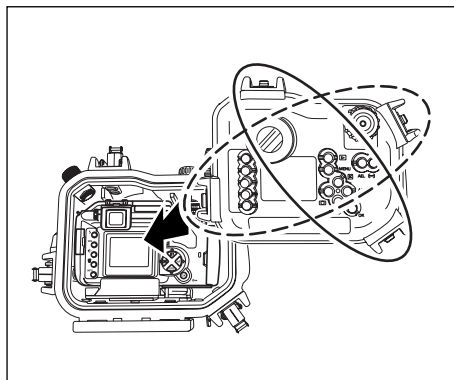
- ⑤ Confirm that the camera's power switch is OFF. While pulling out the zoom dial on the PT-E series case, slide the camera table with camera attached as far as it will go into the camera table mount on the inner side of the case's front lid.



- ⑥ After inserting the camera, turn the camera table lock lever of the PT-E series case all the way clockwise to lock the camera table, and then push in the zoom dial on the PT-E series case.



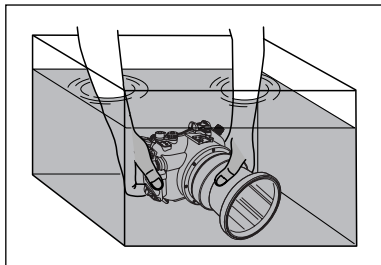
- ⑦ Push in the PT-E series case's power switch dial and mode dial knob. Turn the power switch dial and mode dial knob and confirm that they can control the camera power ON-OFF and mode switching. Connect the hot shoe mount section of the hot shoe cable that has been connected to the PT-E series case to the hot shoe of the camera.



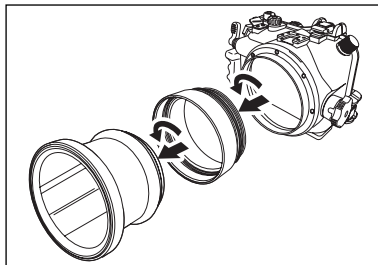
- ⑧ Attach the rear lid of the PT-E series case and lock the four buckles (two diagonally located buckles first, and then the other two diagonally located buckles). Underwater shooting is now possible.

5 Maintenance

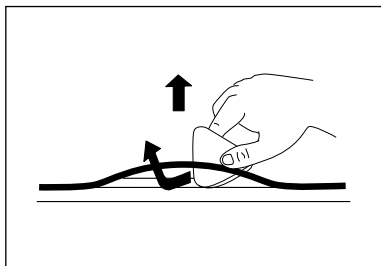
For safe use of this product, always perform maintenance after each diving session. For details, refer to "Handling After Shooting" and "Maintaining the Waterproof Function" in the PT-E series case instruction manual. Apply the same procedures to this product.



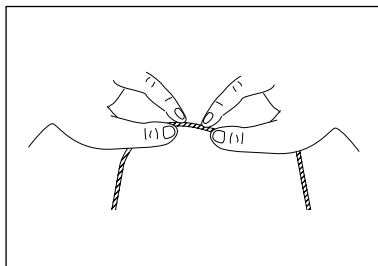
- ① After shooting, remove the inserted camera and lens, then re-seal the empty case and immerse it in tap water to remove any salt as soon as possible.



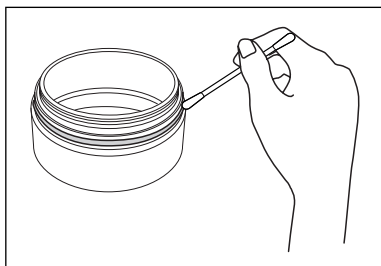
- ② After making sure that the PT-E series case is completely dry remove the PPO-series lens port and this product from the case.



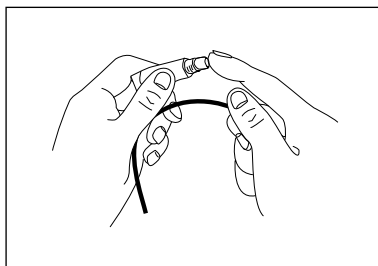
- ③ Remove the O-rings from this product using the provided pick for removing O-rings. Take care not to damage the O-rings.



- ④ Remove sand and dust from the O-rings. Pinch each O-ring between your fingers and lightly rub the entire circumference to check for foreign matter, scratches and cracks.



- ⑤ Remove any foreign matter attached to the O-ring grooves with a clean, lint-free cloth or cotton swab. Also remove any foreign matter from the O-ring contact surfaces, the port mount thread on the PT-E series case and the O-ring groove of the PPO-E series lens port.



- ⑥ After removing foreign matter, apply the provided grease to the O-rings and fit them into the O-ring grooves. To apply grease to each O-ring, squeeze a drop of grease about the size of a grain onto your finger and lightly rub the entire circumference of the O-ring to spread the grease thinly and evenly.

6 Specifications

Applicable case	: PT- E series
Corresponding lens port	: PPO-E01/PPO-E02/PPO-E03
	Underwater zooming and manual focusing are not possible when this product is used.
Applicable lens	: ZUIKO DIGITAL 1.4X Teleconverter EC-14
Main materials	
Main body	: Aluminum.
O-rings	: Silicon rubber.
Front cap	: ABS resin.
Rear cap	: Polyethylene resin.
Withstanding pressure	: Water depth of 60 m (200 ft)
Dimensions	: Max. diameter 108 mm x Depth 36.1 mm
Weight	: 220 g (excluding the conversion lens)

(Note) We reserve the right to change the external appearance and specifications without notice.

7 Consumable Items

This product uses the following consumable items.

■ Silicon O-rings

Product Model	Description
POL-E101	O-ring for use with the PT-E series case.

■ Grease for silicone O-ring

Product Model	Description
PSOLG- 1	Grease for O-rings

OLYMPUS[®]

<http://www.olympus.com/>

OLYMPUS IMAGING CORP.

Shinjuku Monolith, 3-1 Nishi Shinjuku 2-chome, Shinjuku-ku, Tokyo, Japan

OLYMPUS IMAGING AMERICA INC.

Two Corporate Center Drive, Po Box 9058, Melville, NY 11747-9058, U.S.A.
Tel. 631-844-5000

Technical Support (USA)

24/7 online automated help: <http://www.olympusamerica.com/support>
Phone customer support: Tel. 1-888-553-4448 (Toll-free)

Our phone customer support is available from 8 am to 10 pm
(Monday to Friday) ET
E-Mail: distec@olympus.com
Olympus software updates can be obtained at:
<http://www.olympus.com/digital/>

OLYMPUS IMAGING EUROPA GMBH

Premises : Wendenstrasse 14-18, 20097 Hamburg, Germany
Tel: +49 40-23 77 3-0 Fax: +49 40-23 07 61
Goods delivery : Bredowstrasse 20, 22113 Hamburg, Germany
Letters : Postfach 10 49 08, 20034 Hamburg, Germany

European Technical Customer Support:

Please visit our homepage <http://www.olympus-europa.com>
or call our TOLL FREE NUMBER* : **00800 - 67 10 83 00**

for Austria, Belgium, Denmark, Finland, France, Germany,
Italy, Luxemburg, Netherlands, Norway, Portugal, Spain,
Sweden, Switzerland, United Kingdom

*Please note that some (mobile) phone services/ provider do
not permit access or request an additional prefix to +800
numbers.

For all not listed European Countries and in case that you
can't get connected to the above mentioned number please
make use of the following

CHARGED NUMBERS:

+49 180 5 - 67 10 83 or +49 40 - 237 73 899

Our Technical Customer Support is available from 9am to 6pm MET
(Monday to Friday)

© 2005 OLYMPUS IMAGING CORP.

OLYMPUS[®]

<http://www.olympus.com/>