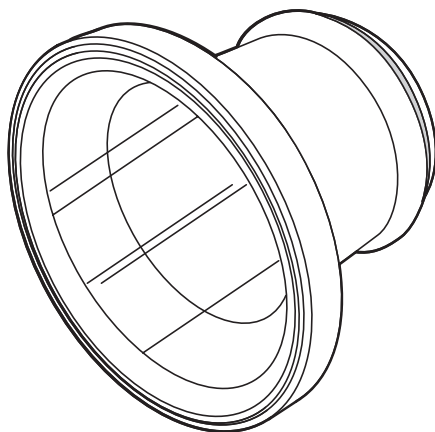


OLYMPUS[®]

PPO-E02



Jp

取扱説明書

PT-Eシリーズ用防水レンズポート

En

Instruction Manual

Underwater Lens Port for the PT-E Series

Fr

Mode d'emploi

Port d'objectif étanche pour la série PT-E

De

Bedienungsanleitung

Unterwasser-Objektiv-Port für PT-E Serie

Sp

Manual de instrucciones

Puerto de objetivo hermético para la serie PT-E

Cs

使用说明书

PT-E系列专用镜头防水罩

Kr

사용 설명서

PT-E시리즈 방수 렌즈 포트

OLYMPUS IMAGING CORP.

- Thank you for buying this product. To assure safe and correct use of this product, please read this instruction manual carefully. After reading, store the manual together with the warranty card in a safe, easily accessible place.
- This product is the Waterproof Lens Port (PPO-E02) designed exclusively for use with the PT-E series of waterproof case.
- Underwater zooming is made possible by attaching the zoom gear, provided with this product, to the zoom ring of an applicable camera lens.

Disclaimer



- Unauthorized copying of this manual in part or in full, except for personal use, is prohibited. Unauthorized reproduction is strictly prohibited.
- Olympus shall not be responsible for damages, loss of profit or any claims by third parties in case of any damage occurring from incorrect use of this product.

IMPORTANT - Please read the following before using the product

- This product has been designed to be used underwater at depths up to 60 meters (200 ft). Handle this product with care.
- This product must always be used in combination with an applicable lens. Do not combine this product with an inapplicable lens.
- To ensure correct and safe use of this product, always use it as described in this instruction manual.

For safe use

This instruction manual uses pictographs to show how to use the product correctly and how to prevent danger to the user and other persons as well as damage to property. These pictographs and their meanings are shown below.

 WARNING	Please pay particular attention to this information. If ignored when using the product, there is a risk of serious injury and even death.
 CAUTION	Ignoring this information when using the product could lead to injury or material damage.

WARNING

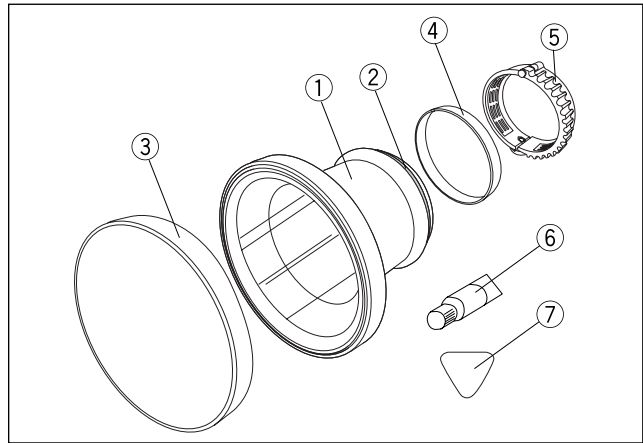
- This product should be kept out of reach of infants and children to prevent accidents such as the following:
 - Injury caused by the product falling from a height and striking the body from a height.
 - Injury caused by the swallowing of small parts. Please consult a doctor immediately if this happens.
- This product is partly made of glass. If it is broken or smashed by being dropped or hit against a hard object, glass splinters could cause injury. Please handle this product carefully.
- If water gets into this product during underwater use, immediately stop using it, remove the moisture from the product and detach it from the camera and lens.
- Do not disassemble or modify this product. This may result in injury.
- The silicone O-ring grease is not edible.

CAUTION

- Do not expose this product to high temperatures for extended periods. This may lead to deterioration of the product's components.
- When mounting this product on the PT-E series waterproof case, be sure to follow the steps described in this manual.
- Before detaching this product from the PT-E series waterproof case, make sure that the case is completely dry and free of moisture.
- Never attach or detach this product in locations where there is a lot of sand, dust or dirt. If any foreign matter gets on the O-ring sections, the waterproof sealing will be compromised and water leakage may result.
- This product has been designed and manufactured for use in a water pressure equivalent to a depth of 60 meters (200 ft). Please note that diving in depths over 60 meters may cause irreparable damage and/or may result in water leaking into this product and the camera and lens.
- When sealing this product, make sure that no foreign matter is caught on the O-rings or O-ring contact surfaces.
- Before storing this product, always remove it from the camera and lens.
- To control lens zooming from this product, the provided zoom gear must be attached to the zoom ring of the lens. Correctly attach the zoom gear to the zoom ring of the lens as instructed in this manual.

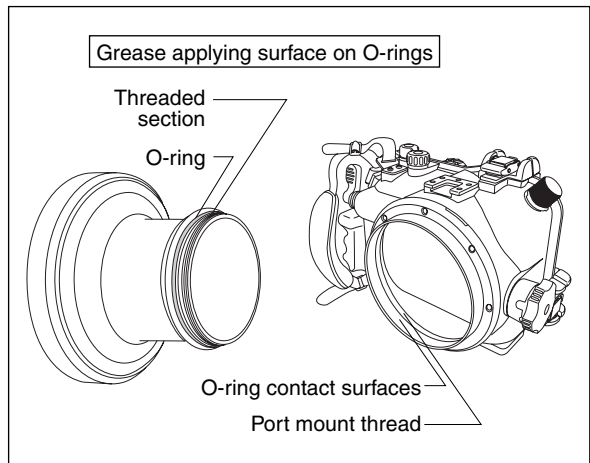
1 Name of Parts

- ① PPO-E02 main body
- ② Silicon O-ring (POL-E101)
- ③ Front cap
- ④ Rear cap
- ⑤ Zoom gear
- ⑥ Grease for silicone O-ring
- ⑦ Pick for O-ring removal

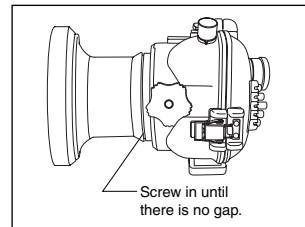
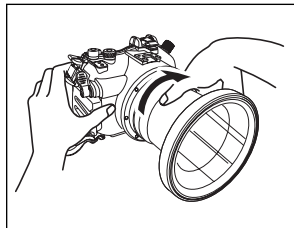
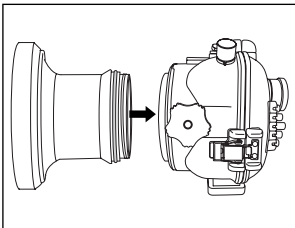


2 Mounting the PPO-E02 on the Waterproof Case

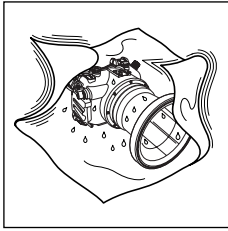
This section describes how to mount this product on the PT-E series case. Before mounting, check that no foreign matter is attached to the O-rings, the port mount thread on the PT-E series case, or the O-ring contact surfaces. Apply a thin layer of the provided silicone O-ring grease.



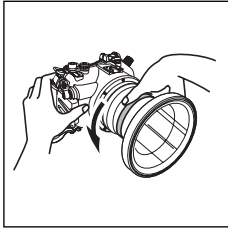
- ① Align the threaded section of the PPO-E02 with the port mount thread on the PT-E series case.
- ② Hold the PT-E series case firmly with one hand, hold the main body of the PPO-E02 with your other hand and screw it into the PT-E series by turning the PPO-E02 clockwise.
- ③ Resistance increases as the PPO-E02 is screwed in more deeply. However, be sure to screw it in all the way until there is no gap visible below the threaded section of the PPO-E02.



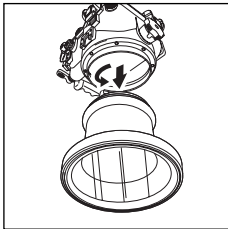
3 Dismounting the PPO-E02



- ① If any water is on the product, wipe it completely away and make sure that the product is dry.



- ② Holding the PT-E series case firmly with one hand, loosen the PPO-E02 by turning it about 90 degrees counterclockwise. If the PPO-E02 is attached too tightly to turn, wrap it with a piece of rubber or similar non-slip material.



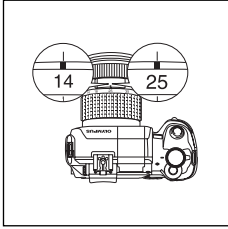
- ③ After loosening the PPO-E02, point its lens downward and turn it further counterclockwise until it is separated from the PT-E series case. Be careful not to drop the PPO-E02 or PT-E series case.

CAUTION:

- While dismounting the PPO-E02 from the case, water remaining on the PPO-E02 may splatter on the lens or camera. If this happens, wipe the water off the lens and camera with a dry cloth.
- Make sure that the port is completely dry before dismounting.

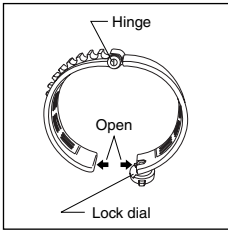
4 Attaching the Zoom Gear on the Lens

To control zooming of the camera lens, the provided zoom gear must be attached to the zoom ring of the lens.

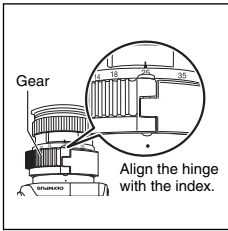


- ① Turn the zoom ring of the lens so that the correct number (see the following table) is aligned with the zoom index.

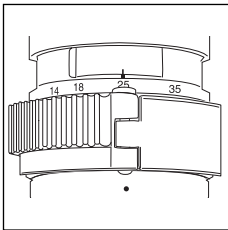
Corresponding lens	Number to align with the zoom index
ZUIKO DIGITAL 14-54mm F2.8-3.5	25
ZUIKO DIGITAL 11-22mm F2.8-3.5	14



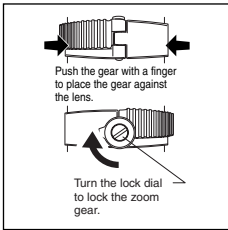
- ② Check the position of the lock dial's hinge on the zoom gear, then turn the lock dial counterclockwise to release the lock and open the gear.



- ③ Open the zoom gear wide and align its hinge with the zoom index on the lens. Place the zoom gear on the lens and adjust the rotation direction of the zoom gear. At this time, bring the gear section of the zoom gear to the left of the hinge as shown in the illustration.



- ④ Set the front-rear direction of the zoom gear by aligning the edge of the hinge with the end of the rubber section on the lens' zoom ring.

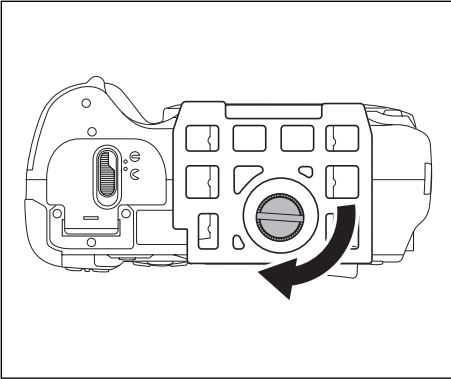


- ⑤ After positioning the zoom gear, place it against the lens's zoom ring (taking care not to displace the zoom gear), and turn the zoom gear's lock dial all the way clockwise to lock it.

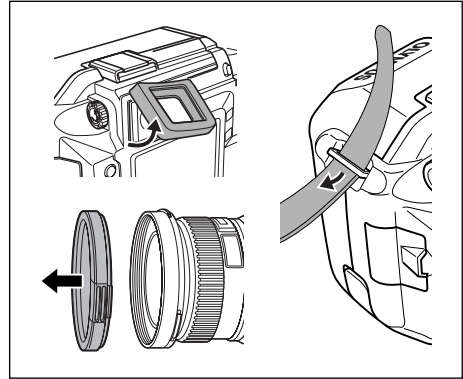
CAUTION: If the zoom gear is turned in the wrong direction or its front-rear orientation is incorrect, zooming cannot be controlled properly. Be sure to attach the zoom gear correctly.

5 Loading the Camera and Lens

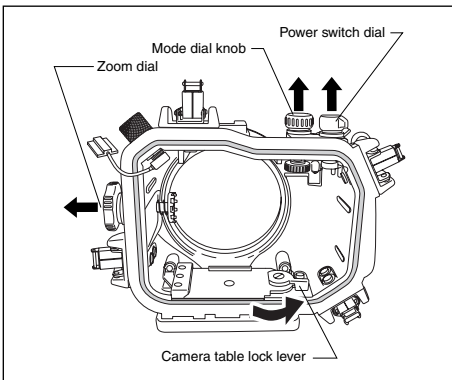
After attaching the zoom gear to the camera lens, insert the camera and lens into the PT-E series case on which the PPO-E02 is mounted.



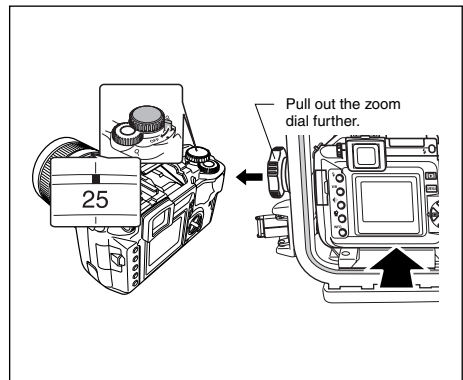
- ① Screw the camera table provided with the PT-E series case firmly into the bottom of the camera.



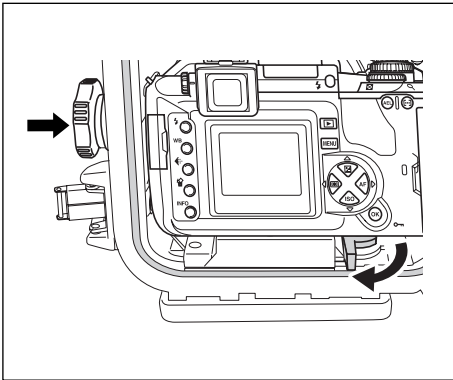
- ② Remove the eyecup from the camera's viewfinder. If a lens cap or filter is attached to the lens or the strap is attached to the camera, remove them as well.



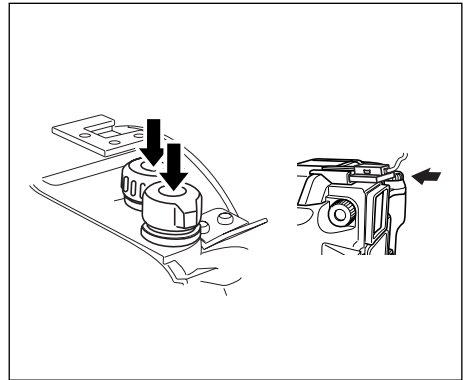
- ③ Lift the PT-E series case's power switch dial, mode dial knob and zoom dial, and turn the case's camera table lock lever counterclockwise to release the lock. Refer to the PT-E series case's instruction manual for instructions of how to attach the hot shoe cable for the flash.



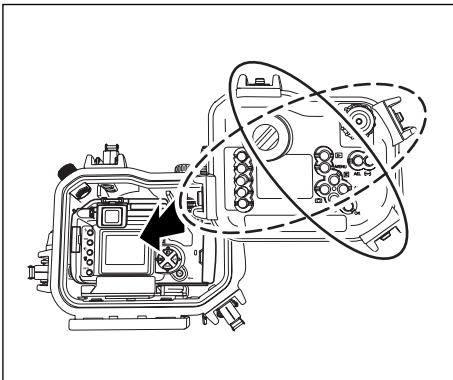
- ④ Confirm that the camera's power switch is OFF. Align the correct zoom value for the lens with the zoom index of the lens. While pulling out the zoom dial on the PT-E series case, slide the camera table with camera attached as far as it will go into the camera table mount on the inner side of the case's front lid.



⑤ After inserting the camera, turn the PT- E series case's camera table lock lever all the way clockwise to lock the camera table. Then, push in the zoom dial on the case and engage it with the zoom gear attached to the lens. Turn the zoom dial to confirm that it can control zooming.



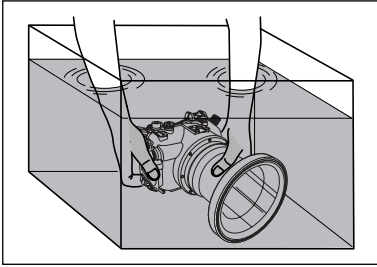
⑥ Push in the PT- E series case's power switch dial and mode dial knob. Turn the power switch dial and mode dial knob and confirm that they can control the camera power ON-OFF and mode switching. Connect the hot shoe mount section of the hot shoe cable that has been connected to the PT-E series case to the hot shoe of the camera.



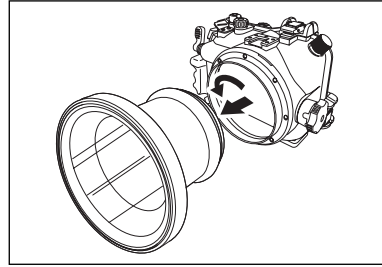
⑦ Attach the rear lid of the PT- E series case and lock the four buckles (two diagonally located buckles first, and then the other two diagonally located buckles). Underwater shooting is now possible.

6 Maintenance

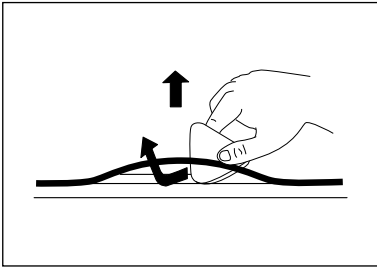
For safe use of this product, always perform maintenance after each diving session. For details, refer to "Handling After Shooting" and "Maintaining the Waterproof Function" in the PT-E series case instruction manual. Apply the same procedures to this product.



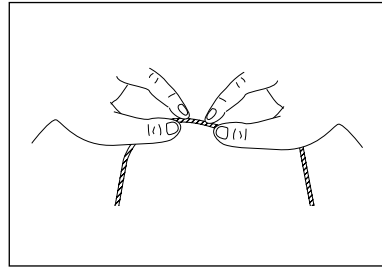
- ① After shooting, remove the inserted camera and lens, then re-seal the empty case and immerse it in tap water to remove any salt as soon as possible.



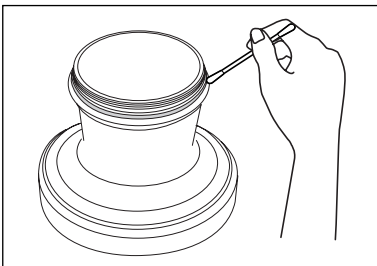
- ② After making sure that the PT-E series case is completely dry, dismount this product from the case.



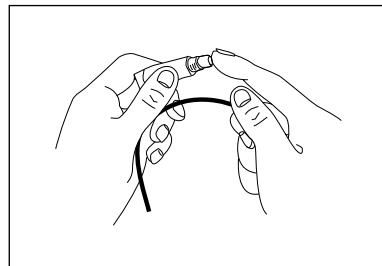
- ③ Remove the O-rings from this product using the provided pick for removing O-rings. Take care not to damage the O-rings.



- ④ Remove sand and dust from the O-rings. Pinch each O-ring between your fingers and lightly rub the entire circumference to check for foreign matter, scratches and cracks.



- ⑤ If any foreign matter is attached to the O-ring grooves, remove it using a clean, lint-free cloth or cotton swab. Also remove any foreign matter from the O-ring contact surfaces and from the port mount thread on the PT-E series case.



- ⑥ After removing foreign matter, apply the provided grease to the O-rings and fit them into the O-ring grooves. To apply grease to each O-ring, squeeze a drop of grease about the size of a grain onto your finger and lightly rub the entire circumference of the O-ring to spread the grease thinly and evenly.

7 Specifications

Applicable case	: PT- E series
Applicable lens	: ZUIKO DIGITAL 14-54mm F2.8-3.5/ZUIKO DIGITAL 11-22mm F2.8-3.5
Main materials	
Main body	: Aluminum.
Lens window	: Chemically reinforced glass.
O-rings	: Silicon rubber.
Zoom gear	: Polycarbonate resin.
Front cap	: NBR rubber.
Rear cap	: Polyethylene resin.
Withstanding pressure	: Water depth of 60 m (200 ft)
Dimensions	: Max. diameter 143 mm x Depth 105 mm
Weight	: 650 g (excluding the conversion lens)

Note) We reserve the right to change the external appearance and specifications without notice.

8 Consumable Items

This product uses the following consumable items.

■ Silicon O-rings

Product Model	Description
POL-E101	O-ring for use with the PT-E series case.

■ Grease for silicone O-ring

Product Model	Description
PSOLG- 1	Grease for O-rings

OLYMPUS®

<http://www.olympus.com/>

OLYMPUS IMAGING CORP.

Shinjuku Monolith, 3-1 Nishi Shinjuku 2-chome, Shinjuku-ku, Tokyo, Japan

OLYMPUS IMAGING AMERICA INC.

Two Corporate Center Drive, Po Box 9058, Melville, NY 11747-9058, U.S.A.
Tel. 631-844-5000

Technical Support (USA)

24/7 online automated help: <http://www.olympusamerica.com/support>
Phone customer support: Tel. 1-888-553-4448 (Toll-free)

Our phone customer support is available from 8 am to 10 pm
(Monday to Friday) ET

E-Mail: distec@olympus.com

Olympus software updates can be obtained at:
<http://www.olympus.com/digital/>

OLYMPUS IMAGING EUROPA GMBH

Premises : Wendenstrasse 14-18, 20097 Hamburg, Germany
Tel: +49 40-23 77 3-0 Fax: +49 40-23 07 61
Goods delivery : Bredowstrasse 20, 22113 Hamburg, Germany
Letters : Postfach 10 49 08, 20034 Hamburg, Germany

European Technical Customer Support:

Please visit our homepage <http://www.olympus-europa.com>
or call our TOLL FREE NUMBER* : **00800 - 67 10 83 00**

for Austria, Belgium, Denmark, Finland, France, Germany,
Italy, Luxemburg, Netherlands, Norway, Portugal, Spain,
Sweden, Switzerland, United Kingdom

*Please note that some (mobile) phone services/ provider do
not permit access or request an additional prefix to +800
numbers.

For all not listed European Countries and in case that you
can't get connected to the above mentioned number please
make use of the following

CHARGED NUMBERS:

+49 180 5 - 67 10 83 or +49 40 - 237 73 899

Our Technical Customer Support is available from 9am to 6pm MET
(Monday to Friday)

OLYMPUS[®]

<http://www.olympus.com/>